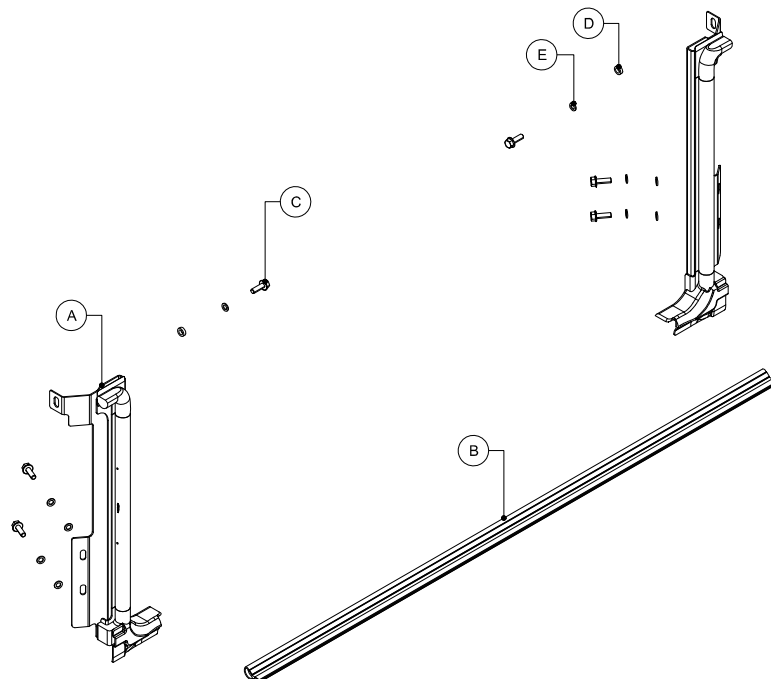


# INSTALLATION MANUAL

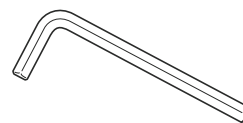
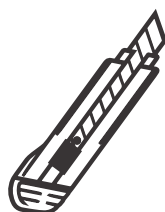
AEROKLAS DUST SEAL ISUZU RG01\_MAZDA



## INSTALLATION TOOLS



No.12



T40



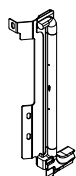
Primer



## PART LIST

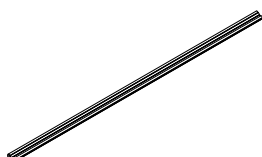
A

1L&1R



B

1 Pcs.



C

6 Pcs.



D

2 Pcs.



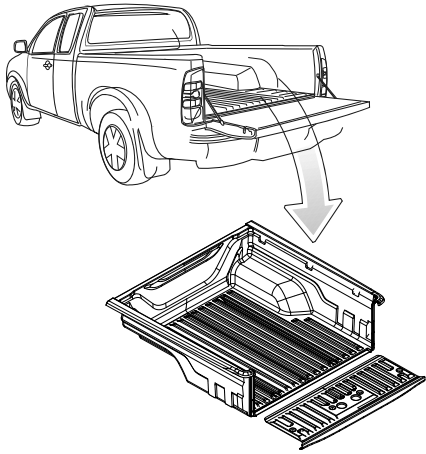
E

6 Pcs.

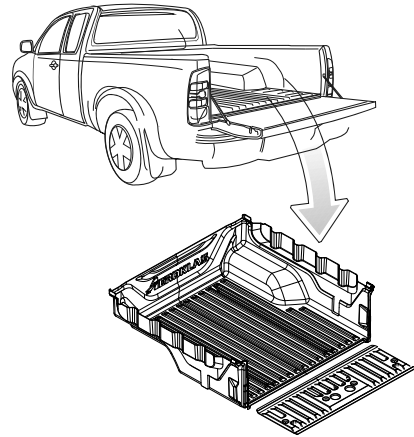


1

**LINER OVERRAIL**

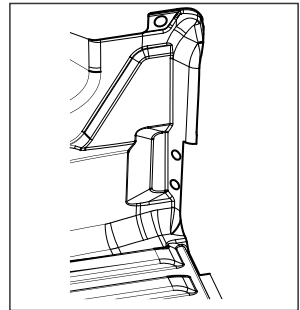
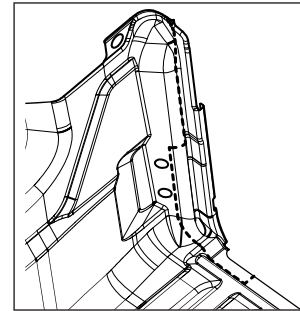
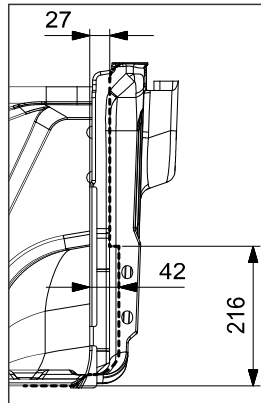
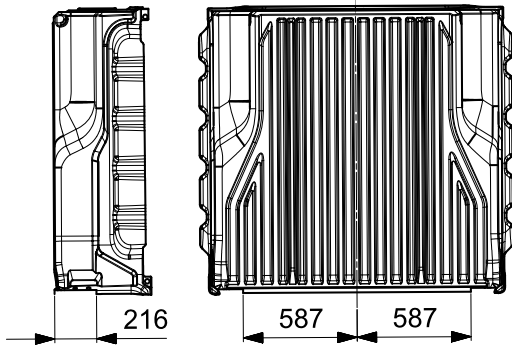


**LINER UNDERRAIL**



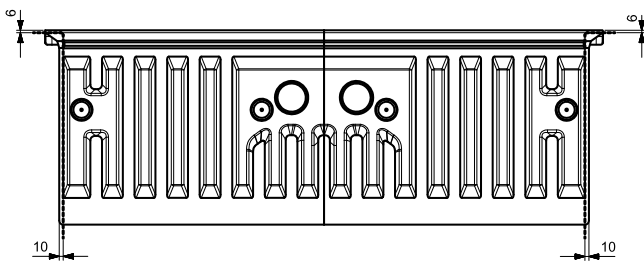
2

**DIMENSION FOR CUT LINER**



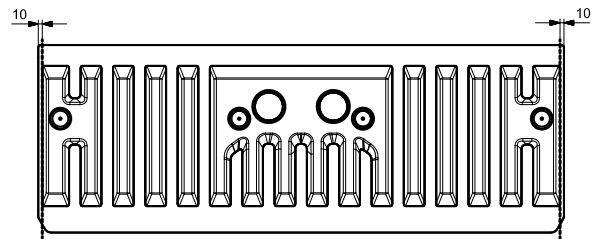
3

**DIMENSION FOR CUT TAILGATE LINER OVERRAIL**

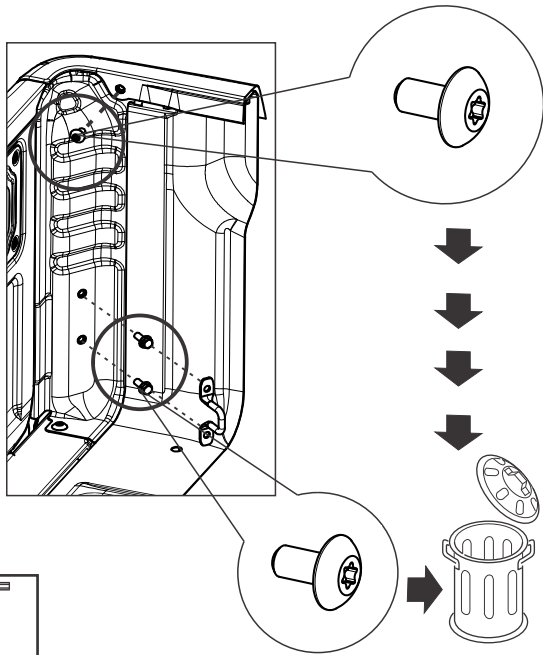


4

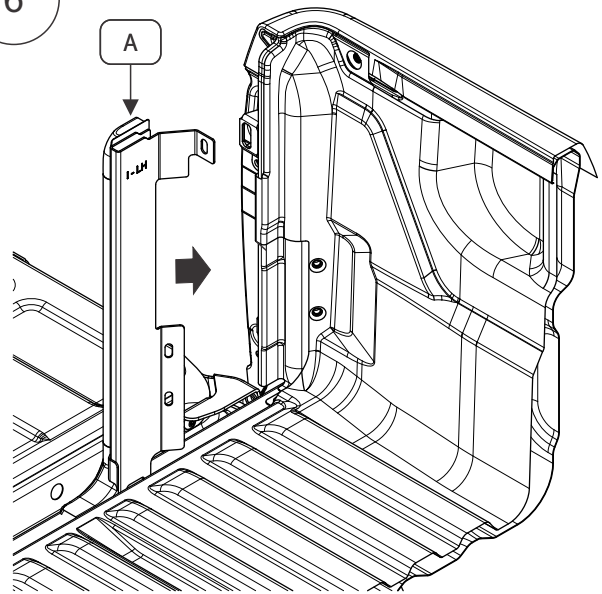
**DIMENSION FOR CUT TAILGATE LINER UNDERRAIL**



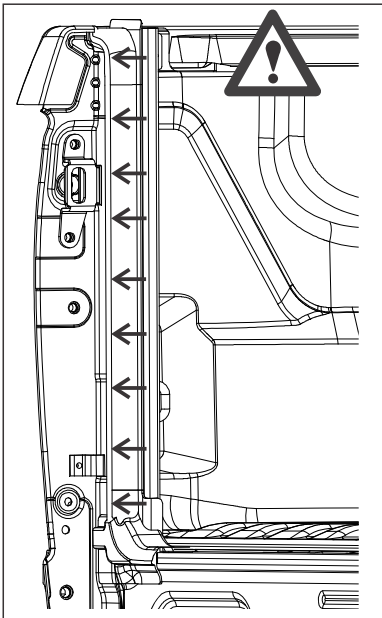
5



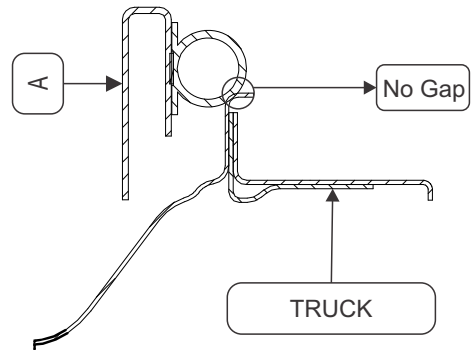
6



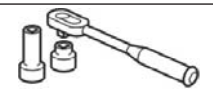
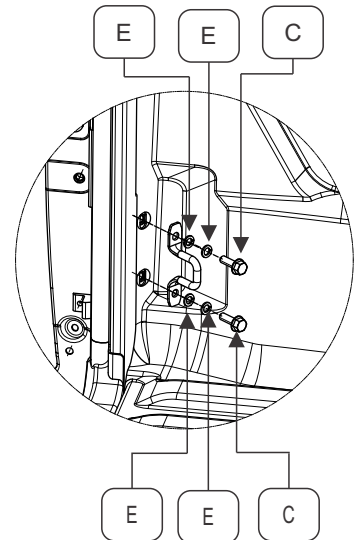
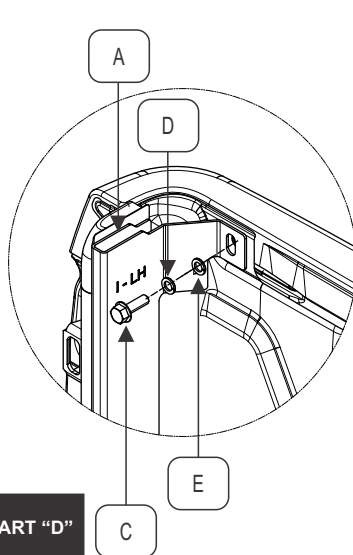
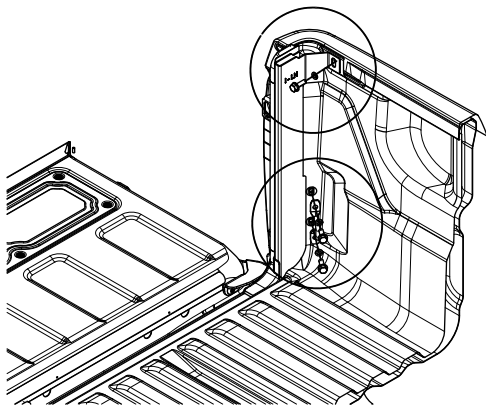
7



- Should check the attachment between the Bracket and the pickup truck,  
Before locking the screws.  
- NO Gap.



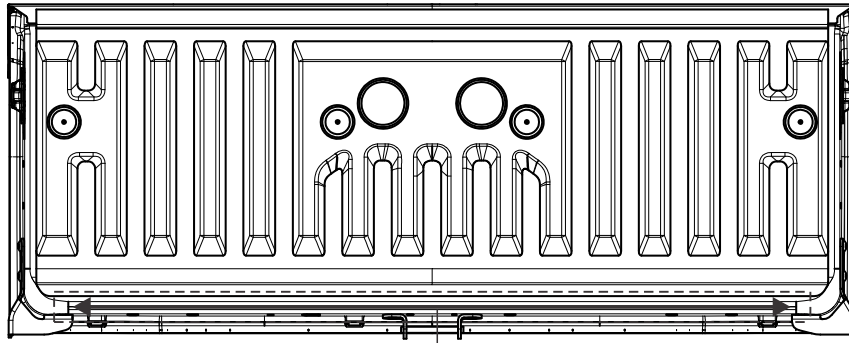
8



- ASSEMBLY WITH LINER REMOVE PART "D"  
- ASSEMBLY WITH OUT LINER USE PART "D"

No.12 (15Nm.)

9 Clean the sticking point and apply primer.

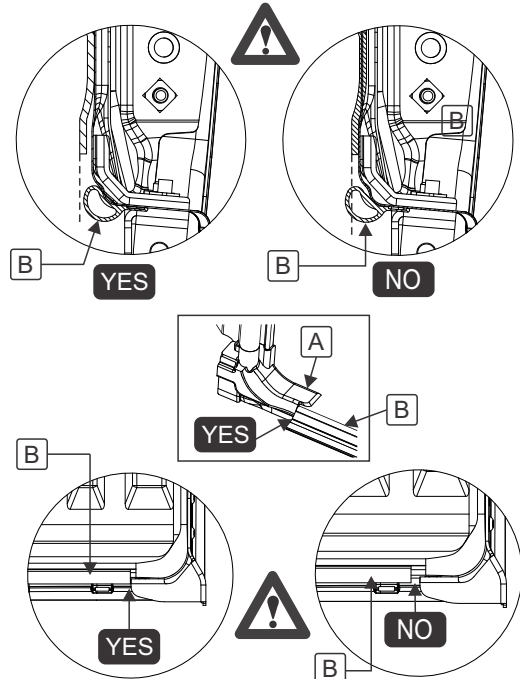
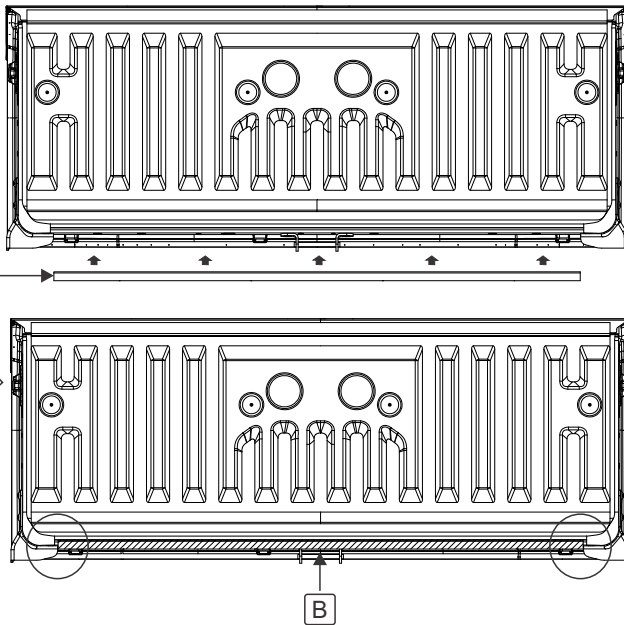


Clean here for apply primer

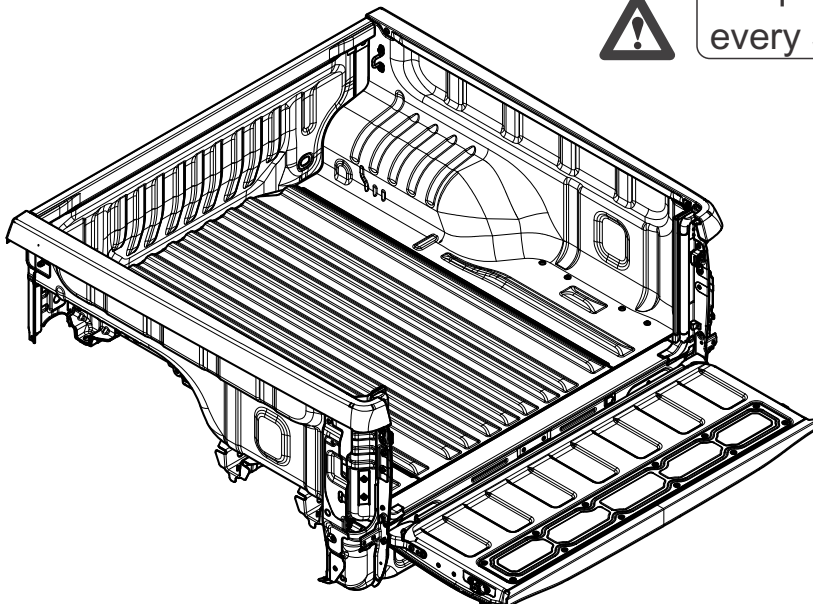
Primer



10



11



Torque should be checked every 5000 km.